



# DATA SHEET

1/17/2012

Page 1 / 3

## Receiver

Society  
Reference  
Address  
Telephone  
Fax  
E-mail

## From

DAB PUMPS B.V.  
Frieda, Bastaerts  
Brusselstraat 150  
+3224810735  
+32 2 4669218

Item no. 102160142

### Pump data :

Model :  
JET 200 M  
Pressure rating : 8 bar (800 kPa)  
Min. fluid temperature : -10 °C  
Max. fluid temperature : 35 °C  
Max. Temperature operating : 40 °C

### Priming capacity:

H	m	2	3	4	5	6	7	8
Q	m <sup>3</sup> /h	9.48	8.58	7.8	6.48	5.58	4.68	3.72

### Requested data :

Flow 0.00 m<sup>3</sup>/h  
Head 0.00 m  
Fluid : Water, pure  
Fluid Temperature : 20 °C  
Density : 998.3 kg/m<sup>3</sup>  
Kinematic viscosity 1.005 mm<sup>2</sup>/s  
Vapor pressure : 100.00 kPa

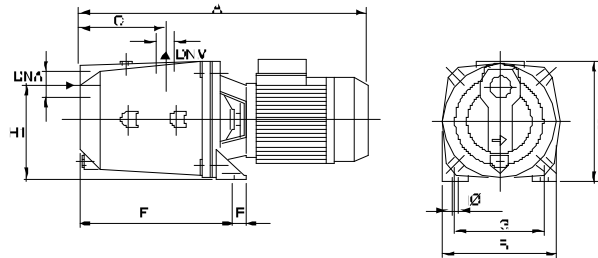
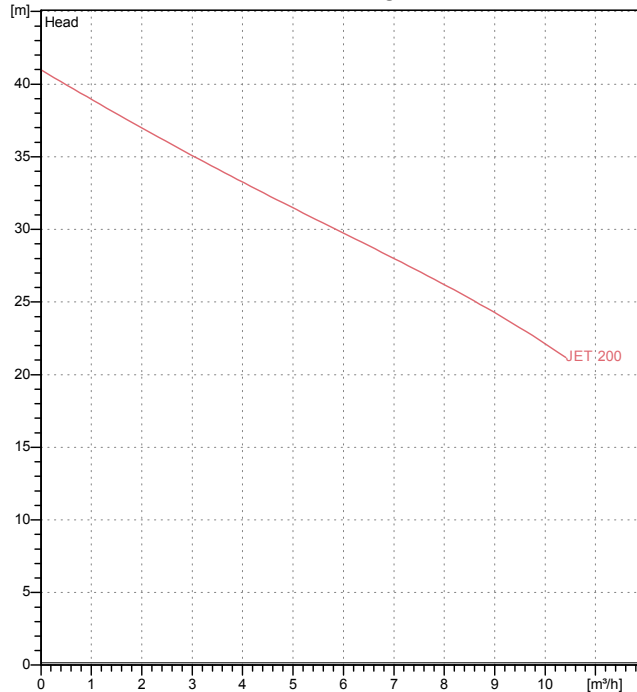
### Hydraulic data (duty point)

Flow  
Head

### Materials :

Pump body Cast iron 200 UNI ISO 185  
Support Cast iron 200 UNI ISO 185  
Impeller Technopoly mer A  
Mechanical seal Carbon/Ceramic  
OR ring Rubber NBR  
Shaft with rotor AISI 416 X12 CrS 13 UNI 6900/71  
Diffuser Technopoly mer A

### Curve tolerance according to ISO 9906



### Motor data :

Trade mark : DAB  
Nominal power P2: 1.5 kW  
Rated speed: 2850 1/min  
Rated voltage : 1~ 0 V 50 Hz  
Nominal current : 0 A  
Degree of protection : IP 44

### Dimension

mm

A	521	DNM	1"1/4 G	H	227		
B	214	E	282	H1	175		
C	151	F	20	IO	11		
DNA	1"1/2 G	G	160				

Weight : 27 kg

### Pump connection

Suction side 1 " 1/2 G 8 bar (800 kPa)  
Discharge side 1 " 1/4 G 8 bar (800 kPa)



# PERFORMANCE CURVES

1/17/2012

Page 2 / 3

Receiver

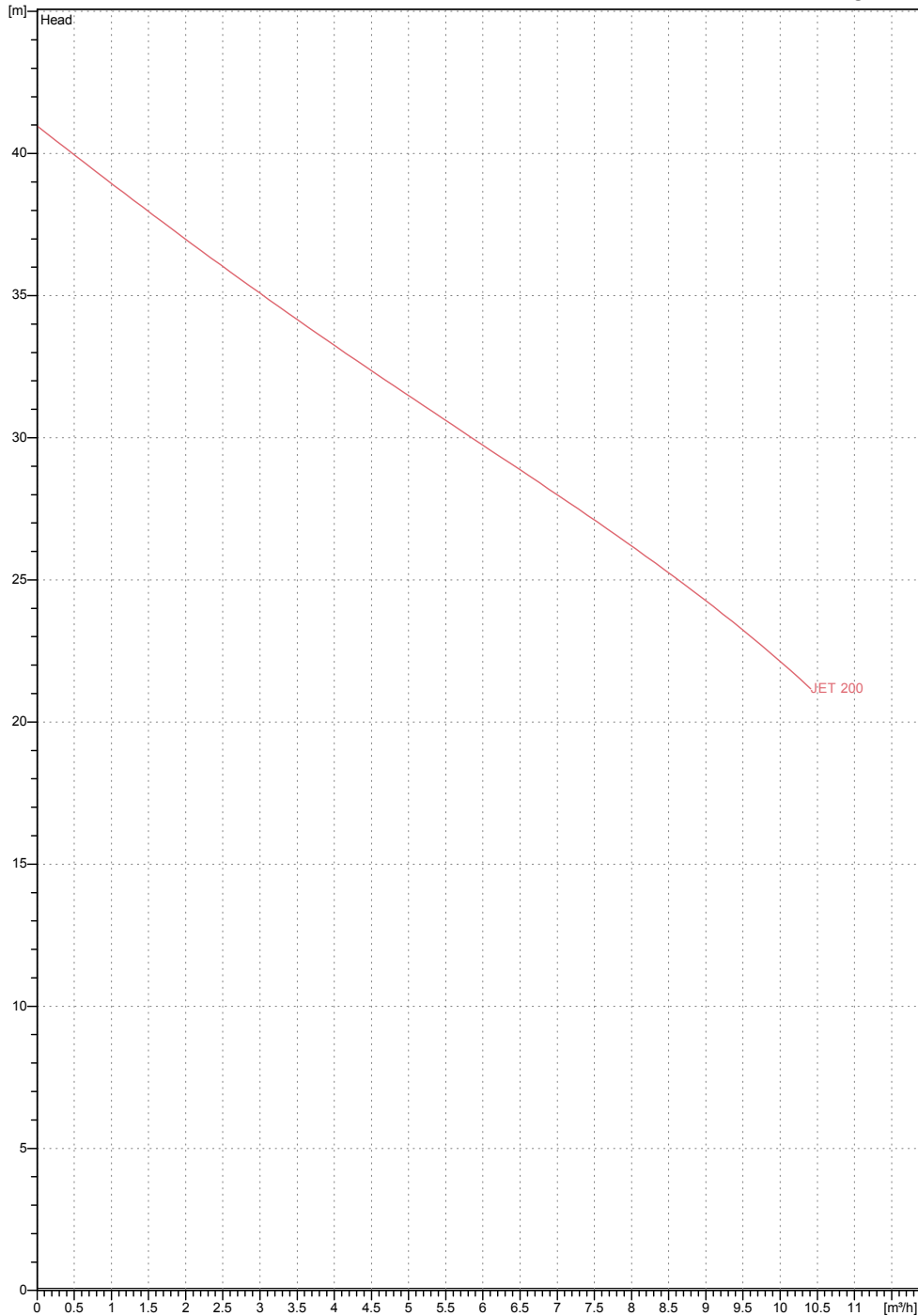
From

Society  
Reference  
Address  
Telephone  
Fax  
E-mail

DAB PUMPS B.V.  
Frieda, Bastaerts  
Brusselstraat 150  
+3224810735  
+32 2 4669218

## JET 200 M

Curve tolerance according to ISO 9906



Hydraulic data (duty point)

Suction side 1 " 1/2/Ø bar (800 kPa)	Discharge side 1 " 1/4/ Ø bar (800 kPa)	Flow 0 m³/h	Head 0 m	Speed 2850 1/min
Project	Project ID	Created by	Created on <b>1/17/2012</b>	



# DIMENSIONAL DRAWING

1/17/2012

Page 3 / 3

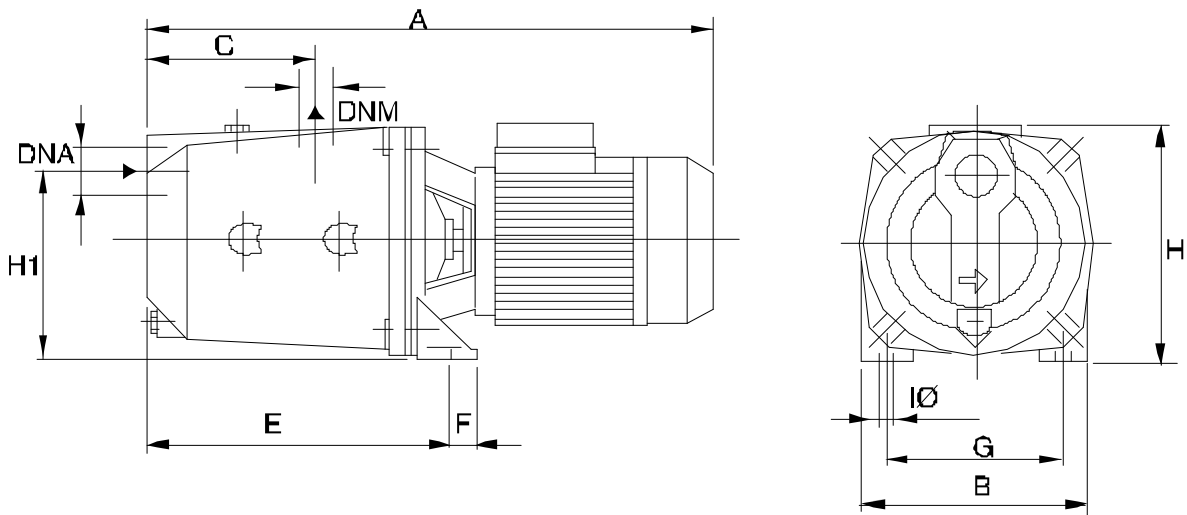
Receiver

From

Society  
Reference  
Address  
Telephone  
Fax  
E-mail

DAB PUMPS B.V.  
Frieda, Bastaerts  
Brusselstraat 150  
+3224810735  
+32 2 4669218

## JET 200 M



Dimensions in mm										Pump connection
1	A	521	I O	11						Suction 1 " 1/2 G 8 bar (800 kPa)  Discharge 1 " 1/4 G 8 bar (800 kPa)
2	B	214								
3	C	151								
4	DNA	1"1/2 G								
5	DNM	1"1/4 G								
6	E	282								
7	F	20								
8	G	160								
9	H	227								
10	H1	175								
Project				Project ID				Created by		Created on <b>1/17/2012</b>